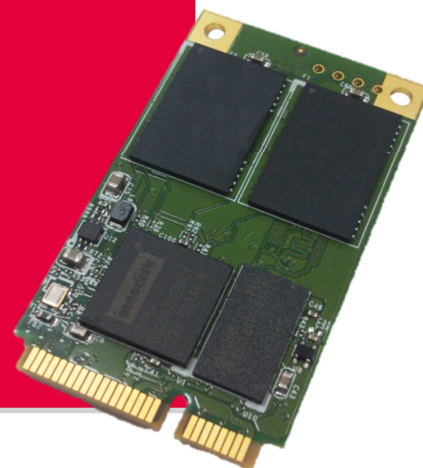


Datasheet

mSATA 3SE-P SERIES

- SATA 6Gb/S interface
- iSMART disk health monitoring
- Intelligent error recovery system
- Excellent data transfer speed
- Great I.O.P.S for best system reaction
- Build-in Dram buffer
- Zero mechanical interference
- Anti-vibration mechanical design
- JEDEC standard MO-300 dimension



Introduction

Innodisk mSATA 3SE-P is designed as the standard Mini PCIe form factor with SATA interface, and supports SATA III standard (6.0Gb/s) with excellent performance. The form factor refers to the MO-300 specification which established by JEDEC. Regarding of mechanical interference, Innodisk mSATA 3SE-P absolutely replaces the traditional hard disk and makes personal computer, in any field, smaller and easier.

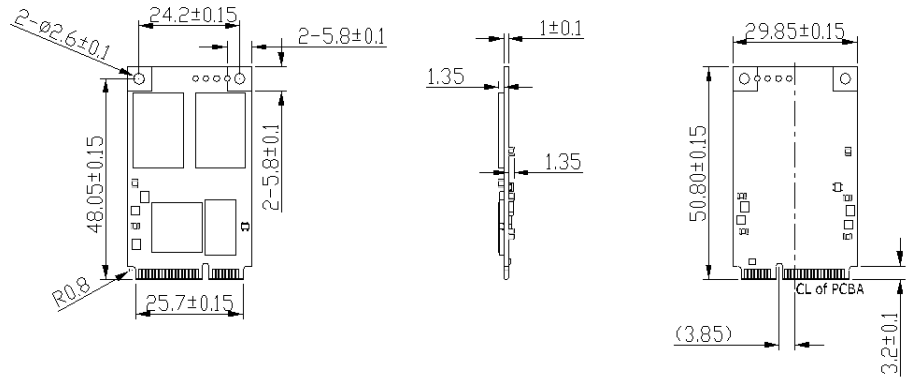
Innodisk mSATA 3SE-P effectively reduces the booting time of operation system and the power consumption is less than hard disk drive (HDD), and complies with ATA protocol, no additional drives are required, and can be configured as a boot device or data storage device.

mSATA 3SE-P series

Contact us for more information about the mSATA 3SE-P.

Innodisk is a service-driven provider of industrial embedded flash and DRAM storage products and technologies, with a focus on the cloud computing, industrial/embedded, and aerospace and defense industries.

Diagram



TOLERANCE: ± 0.20 mm
UNIT: mm

Headquarters (Taiwan)

5F., No.237, Sec. 1, Datong Rd.,
Xizhi Dist., New Taipei City,
Taiwan (R.O.C.)
Tel: +886-2-77033000
Email: sales@innodisk.com

Branch Offices:

USA
usasales@innodisk.com
+1-510-770-9421
Europe
eusales@innodisk.com
+31-040-282-2382
Japan
jpsales@innodisk.com
+81-45-594-7581
China
sales_cn@innodisk.com
+86-755-21673689
www.innodisk.com

© 2015 Innodisk Corporation.
All right reserved. Specifications
are subject to change without
prior notice.

20150813

Specifications

Interface	SATA III
Flash Type	SLC
Capacity	4GB~128GB
Max. Channels	4
Sequential R/W (MB/sec, max.)	470 / 250
Max. Power Consumption	1.2 W (3.3V x 360 mA)
Thermal Sensor	Optional
External DRAM Buffer	√
H/W Write Protect	-
ATA Security	√
S.M.A.R.T.	√
Dimension (WxLxH)	29.85 X 50.8 X 3.7 mm
Environment	Vibration: 20G @7~2000Hz Shock: 1500G @ 0.5ms Storage Temperature: -55°C ~ +95°C MTBF: 3 million hours

Ordering Information

Operation Temp.	4GB	8GB	16GB	32GB	64GB	128GB
Standard Grade (0°C ~ +70°C)	DEMSR-04GD67SCBDB	DEMSR-08GD67SCBQB	DEMSR-16GD67SCBQB	DEMSR-32GD67SCBQB	DEMSR-64GD67SCBQB	DEMSR-A28D67SCBQT
Industrial Grade (-40°C ~ +85°C)	DEMSR-04GD67SWBDB	DEMSR-08GD67SWBQB	DEMSR-16GD67SWBQB	DEMSR-32GD67SWBQB	DEMSR-64GD67SWBQB	DEMSR-A28D67SWBQT

innodisk

www.innodisk.com