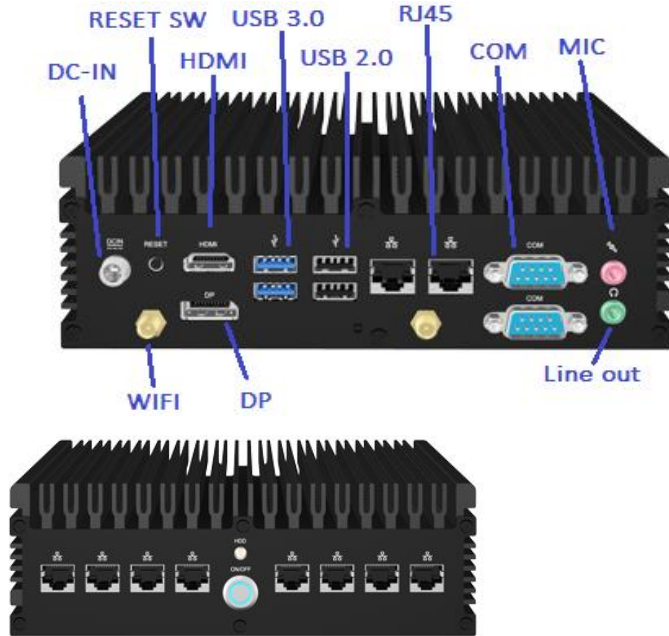


# JBC38AF542AA

**Cableless & Fanless Embedded Barebone  
i5-4300U / 10 Intel Gigabit LAN / 2 COM**



## Features

- High Performance Cableless & Fanless Embedded Barebone
- Planned Product Lifecycle Through Q4'2018
- Intel Core i5-4300U 1.9Hz Dual-Core 15W
- Supports SO-DIMM DDR3L-1600 up to 16GB Total
- 10 \* Intel Gigabit LAN, HD Audio, HDMI, DisplayPort
- 2 \* Serial ports, 1 \* 2.5" SATA3 Drive Bay
- 1 \* Full-size mSATA/Mini-PCIE Shared Slot
- 1 \* Full-size Mini-PCIE Slot (or WIFI)
- Includes Wall and Din Rail Mounts

|                        |   |
|------------------------|---|
| <b>Model No</b>        | ■ JBC38AF542AA  |
| <b>Part No</b>         | ■ HBJC38AF542AA43B (no WIFI), HBJC38AF542WAA43B (with WIFI)   |
| <b>Processor</b>       | ■ Intel Core i5-4300U Dual-core 1.9GHz, 2.9GHz Burst, 15W TDP, Haswell-ULT  |
| <b>Memory</b>          | ■ 2 * 204-pin DDR3L-1600 1.35V SO-DIMM up to 16GB total memory, 1.35V required  |
| <b>Expansion Slots</b> | ■ 1 * Full-size PCI Express Mini Card slot (occupied on WIFI model)   |
| <b>Storage</b>         | ■ 1 * 2.5" SATA3 6Gb/s drive bay, 1 * Full-size mSATA/Mini-PCIE shared slot   |
| <b>Network</b>         | ■ 9 * Intel i211-AT + 1 * Intel i218-LM gigabit LAN supporting iAMT 9.0 & vPRO  |
| <b>Other Features</b>  | ■ HD Audio, ACPI S3, AHCI, Watchdog Timer 10-255 min/sec., AT/ATX power mode  |
| <b>Rear Panel</b>      | ■ 2 * USB 3.0 ports, 2 * USB 2.0 ports, HDMI, DisplayPort, 2 * RJ45, Line-out, Microphone, Antenna holes, 2 * Serial ports (RS232), +12V DC In locking jack, Reset button |
| <b>Front Panel I/O</b> | ■ Power button, HDD LED < 8 * RJ45 ports  |
| <b>BIOS</b>            | ■ AMI 128MB UEFI Flash ROM  |
| <b>Box Contents</b>    | ■ 60W 12V AC locking adapter, US Power Cord, Manual, Driver DVD, Wall/Din mount, Din Rail Clips   |
| <b>Compliance</b>      | ■ CE, FCC, RoHS, ErP Ready  |
| <b>Temperature</b>     | ■ Operating Temperature 0~40 ° C, Storage Temperature -20-85 ° C  |
| <b>Dimensions</b>      | ■ 175 x 185 x 60mm (DxWxH)  |
| <b>Warranty</b>        | ■ 1 Year limited warranty   |

\*Specifications subject to change without notice, not responsible for typographical errors. Does not include memory, storage, optical, or OS.



**Jetway Computer Corporation**  
**Phone: 510-857-0130 Fax: 510-857-0138**  
**8058 Central Ave., Newark, CA 94560**  
**www.jetwaycomputer.com**