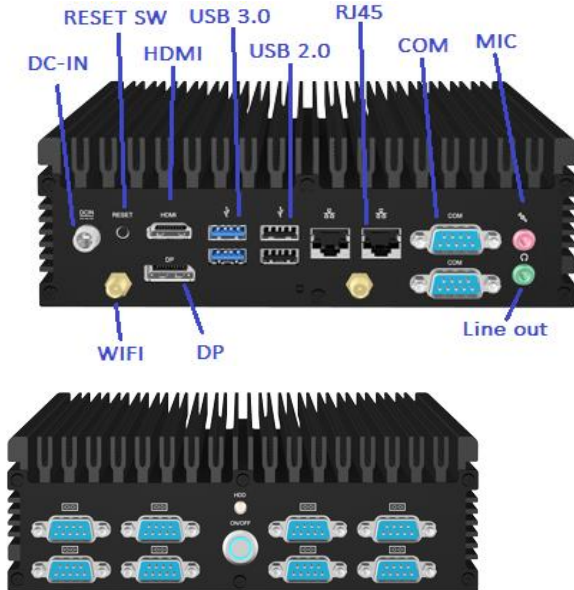


JBC38AF542CC

Cableless & Fanless Embedded Barebone i5-4300U / 10 Serial / 2 Intel Gigabit LAN



Features

- High Performance Cableless & Fanless Embedded Barebone
- Planned Product Lifecycle Through Q4'2018
- Intel Core i5-4300U 1.9Hz Dual-Core 15W
- Supports SO-DIMM DDR3L-1600 up to 16GB Total
- 2 * Intel Gigabit LAN, HD Audio, HDMI, DisplayPort
- 10 * Serial Ports, 1 * 2.5" SATA3 Drive Bay
- 1 * Full-size mSATA/Mini-PCIE Shared Slot
- 1 * Full-size Mini-PCIE Slot (or WIFI)
- Includes Wall and Din Rail Mounts

Model No	■ JBC38AF542CC
Part No	■ HBJC38AF542CC43B (no WIFI), HBJC38AF542WCC43B (with WIFI)
Processor	■ Intel Core i5-4300U Dual-core 1.9GHz, 2.9GHz Burst, 15W TDP, Haswell-ULT
Memory	■ 2 * 204-pin DDR3L-1600 1.35V SO-DIMM up to 16GB total memory, 1.35V required
Expansion Slots	■ 1 * Full-size PCI Express Mini Card slot (occupied on WIFI model)
Storage	■ 1 * 2.5" SATA3 6Gb/s drive bay, 1 * Full-size mSATA/Mini-PCIE shared slot
Network	■ 1 * Intel i211-AT + 1 * Intel i218-LM gigabit LAN supporting iAMT 9.0 & vPRO
Other Features	■ HD Audio, ACPI S3, AHCI, Watchdog Timer 10-255 min/sec., AT/ATX power mode
Rear Panel	■ 2 * USB 3.0 ports, 2 * USB 2.0 ports, HDMI, DisplayPort, 2 * RJ45, Line-out, Microphone, Antenna holes, 2 * Serial ports (RS232), +12V DC In locking jack, Reset button
Front Panel I/O	■ Power button, HDD LED < 8 * Serial ports (8 * RS232/422/485)
BIOS	■ AMI 128MB UEFI Flash ROM
Box Contents	■ 60W 12V AC locking adapter, US Power Cord, Manual, Driver DVD, Wall/Din mount, Din Rail Clips
Compliance	■ CE, FCC, RoHS, ErP Ready
Temperature	■ Operating Temperature 0~40 ° C, Storage Temperature -20-85 ° C
Dimensions	■ 175 x 185 x 60mm (DxWxH)
Warranty	■ 1 Year limited warranty

*Specifications subject to change without notice, not responsible for typographical errors. Does not include memory, storage, optical, or OS.



Jetway Computer Corporation
Phone: 510-857-0130 Fax: 510-857-0138
8058 Central Ave., Newark, CA 94560
www.jetwaycomputer.com

