

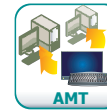
EC70B-SU

ULT

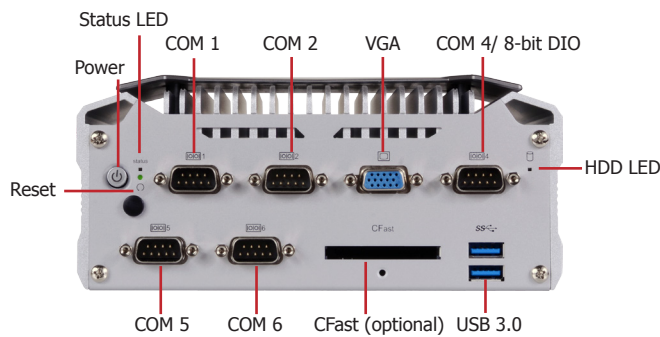


Features

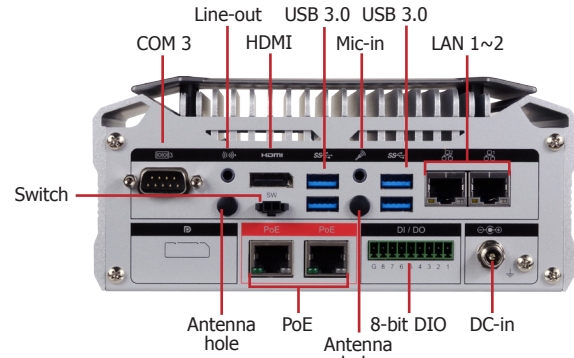
- Compact and Fanless Embedded System
- 4GB/8GB DDR4 memory onboard
- 1x mSATA and 1x M.2 / CFast for storage
- Supports 2 Mini PCIe for wireless application
- Rich I/O ports: 2 PoE, 2 Intel GbE, 6 COM, 6 USB 3.0



Panel

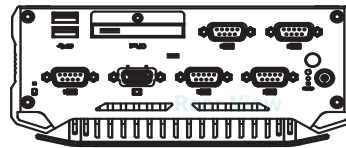


Front View



Rear View

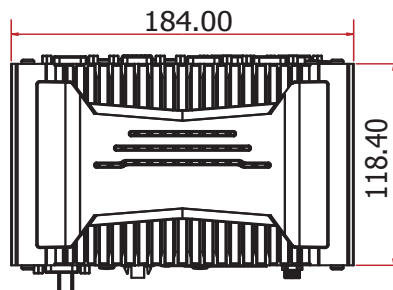
Dimensions



Rear View



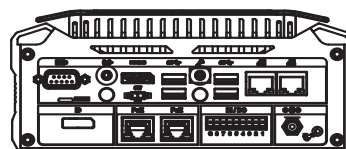
Left View



Top View



Right View

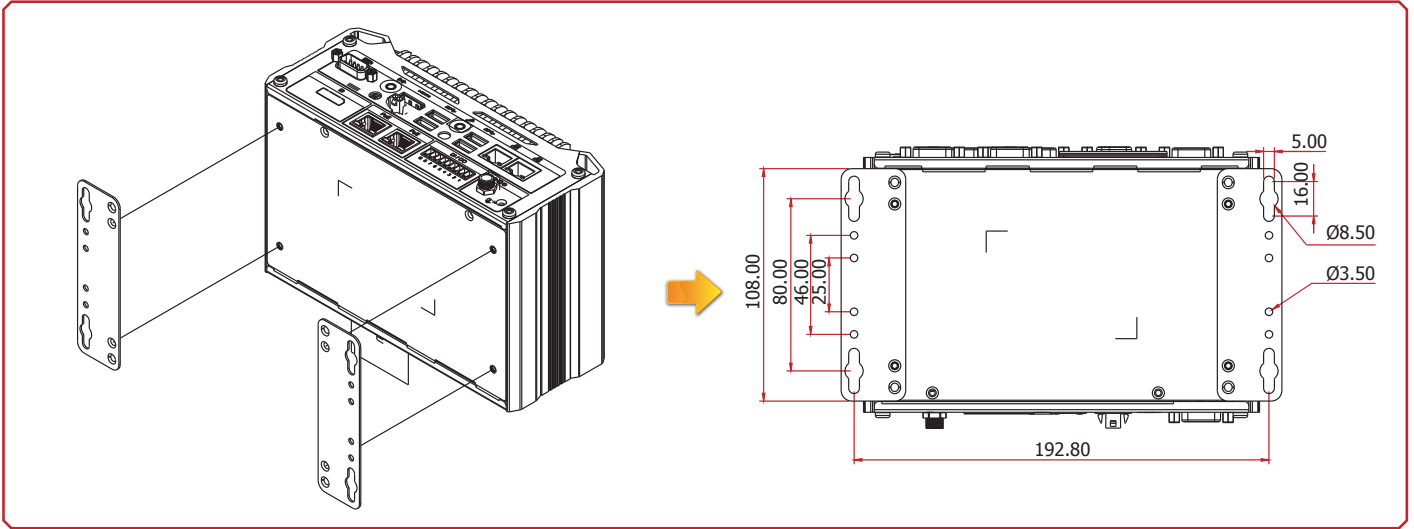


Front View

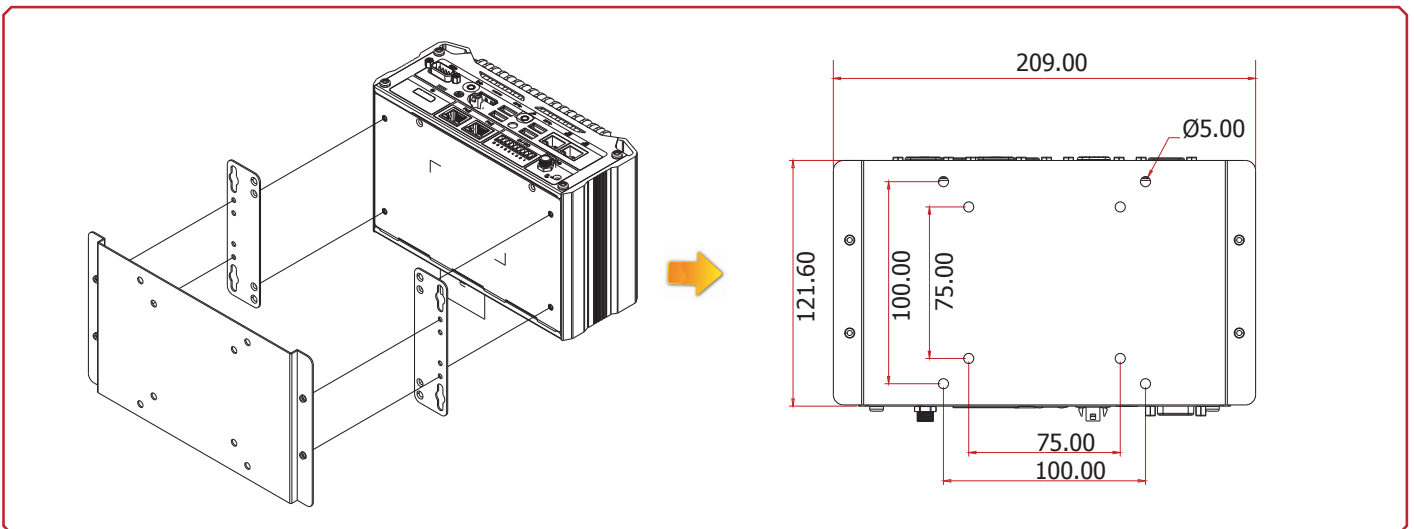
► Specifications

SYSTEM	Processor	6th Generation Intel® Core™ Processors, BGA 1356 Intel® Core™ i7-6600U Processor, Dual Core, 4M Cache, 2.6GHz, 15W Intel® Core™ i5-6300U Processor, Dual Core, 3M Cache, 2.4GHz, 15W Intel® Core™ i3-6100U Processor, Dual Core, 3M Cache, 2.3GHz, 15W		
	Memory	4GB/8GB Memory Onboard	Dual Channel DDR4 2133MHz	
	BIOS	Insyde SPI 128Mbit		
	GRAPHICS	Controller	Intel® HD Graphics GT Series	
	Feature	OpenGL 5.0, DirectX 12, OpenCL 2.1 HW Decode: AVC/H.264, MPEG2, VC1/WMV9, JPEG/MJPEG, HEVC/H265, VP8, VP9 HW Encode: AVC/H.264, MPEG2, JPEG, HEVC/H265, VP8, VP9		
	Display	1 x VGA/DP (DP available upon request) 1 x HDMI	VGA: resolution up to 2560x1600 @ 60Hz DP: resolution up to 4096x2304 @ 60Hz HDMI: resolution up to 4096x2160 @ 24Hz or 2560x1600 @ 60Hz	
	Dual Displays	VGA + HDMI	DP + HDMI	
	STORAGE	1 x mSATA 1 x M.2 (2280 B Key) / CFast Slot (CFast slot available upon request)		
EXPANSION	Interface	1 x Full-size Mini PCIe (PCIe/USB) 1 x Half-size Mini PCIe (PCIe/mSATA)		
AUDIO	Audio Codec	Realtek ALC888 5.1-channel		
ETHERNET	Controller	1 x Intel® I210AT PCIe (10/100/1000Mbps) 1 x Intel® I219LM with iAMT11.0 PCIe (10/100/1000Mbps) (only Core i7/i5 supports iAMT) 2 x Intel® I210IT PCIe (10/100/1000Mbps) for PoE		
LED	Indicators	1 x Power LED 1 x HDD LED		
FRONT I/O	Serial	3 x RS-232/422/485 (DB-9) (one supports 8-bit DIO) 2 x RS-232		
	USB	2 x USB 3.0 (type A)		
	Display	1 x VGA		
	Buttons	1 x Power Button 1 x Reset Button		
	Wi-Fi Antenna	1 x Wi-Fi Module Antenna Hole		
	REAR I/O	Ethernet	2 x PoE (supports 802.3af)	2 x GbE (RJ-45)
	Serial	1 x RS-232/422/485 (DB-9)		
	USB	4 x USB 3.0 (type A)		
	Display	1 x HDMI		
	Audio	1 x Line-out 1 x Mic-in		
	DIO	1 x 8-bit DIO		
	Wi-Fi Antenna	2 x Wi-Fi Module Antenna Hole		
	WATCHDOG TIMER	Output & Interval	System Reset, Programmable via Software from 1 to 255 Seconds	
	POWER	Type	Wide Range 15~36V	
Connector		DC Jack		
OS SUPPORT		Windows 7 (32/64-bit) Windows 8.1 (64-bit) Windows 10	WES 7 WE8S	
MECHANISM	Construction	Aluminum + Metal Aluminum		
	Mounting	Wall/VESA/DIN Rail Mount		
	Dimensions (W x H x D)	184mm x 82mm x 118.4mm		
	Weight	TBD		
ENVIRONMENT	Operating Temperature	-20 to 60°C		
	Storage Temperature	-20 to 85°C		
	Relative Humidity	5 to 95% RH (non-condensing)		
STANDARDS AND CERTIFICATIONS	Shock	Operating: 3G, 11ms Non-Operating: 5G, 11ms		
	Vibration	Operating: Random 5~500Hz, IEC68-2-64 (3G) Non-Operating: Sine 10~500Hz, IEC68-2-6 (3G)		

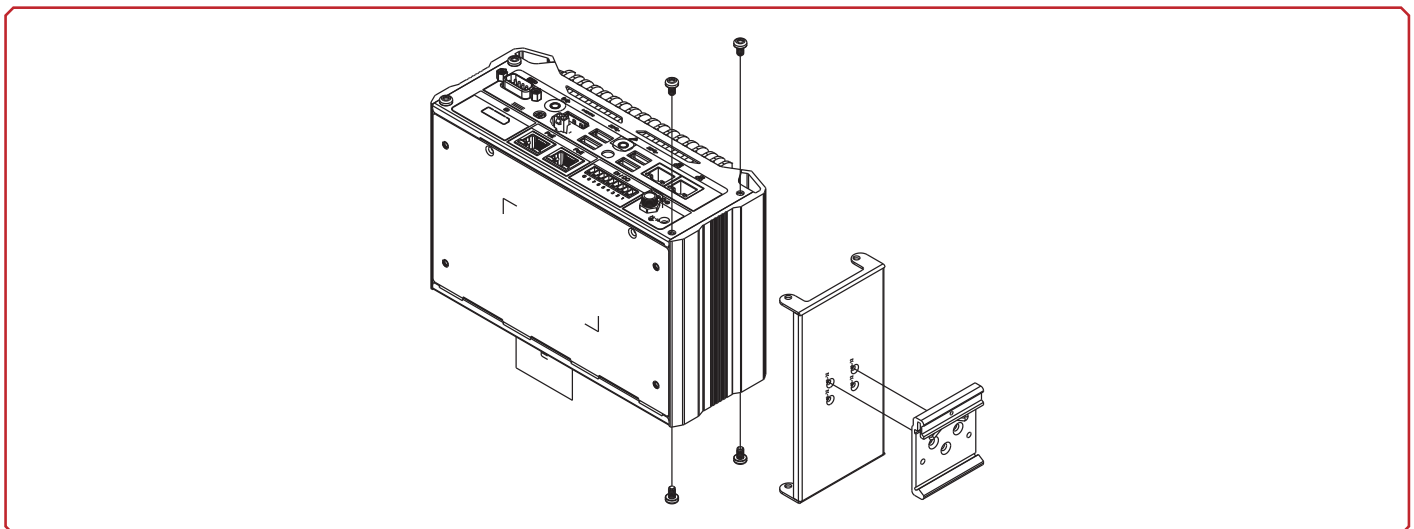
► Wall Mounting



► VESA Mounting



► DIN Rail Mounting



► Ordering Information

Model Name	Part Number	Description
EC70B-SU6864E-614	750-EC70B0-000G	Intel Core i3-6100U, 1 HDMI, 1 VGA, 2 PoE, 2 LAN, 6 COM, 6 USB, 4GB DDR4 onboard
EC70B-SU6864E-618	750-EC70B0-100G	Intel Core i3-6100U, 1 HDMI, 1 VGA, 2 PoE, 2 LAN, 6 COM, 6 USB, 8GB DDR4 onboard
EC70B-SU6864E-634	750-EC70B0-200G	Intel Core i5-6300U, 1 HDMI, 1 VGA, 2 PoE, 2 LAN, 6 COM, 6 USB, 4GB DDR4 onboard
EC70B-SU6864E-638	750-EC70B0-300G	Intel Core i5-6300U, 1 HDMI, 1 VGA, 2 PoE, 2 LAN, 6 COM, 6 USB, 8GB DDR4 onboard
EC70B-SU6864E-664	750-EC70B0-400G	Intel Core i7-6600U, 1 HDMI, 1 VGA, 2 PoE, 2 LAN, 6 COM, 6 USB, 4GB DDR4 onboard
EC70B-SU6864E-668	750-EC70B0-500G	Intel Core i7-6600U, 1 HDMI, 1 VGA, 2 PoE, 2 LAN, 6 COM, 6 USB, 8GB DDR4 onboard

► Optional Items

Optional Items	Part Number	Description
Storage	785-MW128GMH	mSATA Card, 128GB MLC, -40 to 85°C, RoHS
	785-MW64GMH	mSATA Card, 64GB MLC, -40 to 85°C, RoHS
	785-MW32GMH	mSATA Card, 32GB MLC, -40 to 85°C, RoHS
Wi-Fi	785-WIFIKT	Wi-Fi Kit, RoHS
Power Cord	785-PWRD	Power Cord, Standards (USA/EUR/CH), 1.8m, RoHS
Power Adapter	671-110003-100G	120W, 19V/6.31A, Level 6, RoHS
	671-106011-000G	60W, 19V/3.15A, Level 6, RoHS
Wall Mount	761-EC8000-000G	EC700/EC800/EC70A/EC70B Wall Mount Kit, RoHS
VESA Mount	761-EC7000-100G	EC700/EC70A/EC70B VESA Mount Kit, RoHS
DIN Rail Mount	761-EC70B0-000G	EC70B DIN Rail Mount Kit, RoHS

► Packing List

• 1 EC70B-SU system unit
• Mounting screws for Mini PCIe module
• 1 Quick Installation Guide
• 1 CD disk includes:
- Drivers / Manual