



FX5326 Intel Atom N2600 Small System (DIN-Rail) With VGA, 2S, 1CAN, 2Giga-LAN, 4USB and CFast/SD/mCard Socket

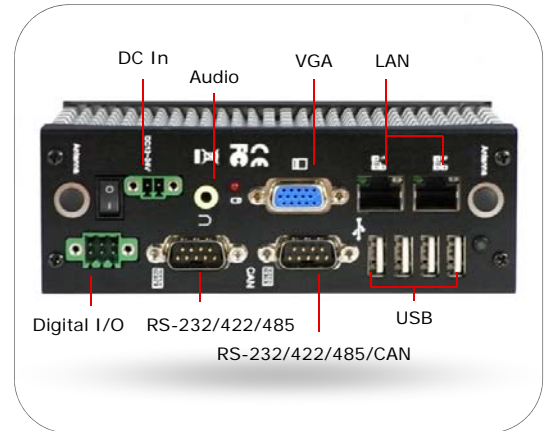


Features

- Fanless and low power consumption design
- Intel dual core CPU (Atom N2600 1.6GHz, 1MB L2 Cache) and System Chipset (Atom N2600 + NM10)
- One 204-Pin SoDIMM socket with 2GB DDR3 RAM (2GB max.)
- Support Giga LAN (*2) for Realtek Chipset
- USB V2.0 Ports (*4)
- One CAN Bus
- 2-In and 2-Out digital I/O
- One CFast Card Type I/II socket
- One SD socket (Class 6)
- One 2.5" SATA HDD space
- Two RS-232/422/485
- Support Expansion I/F with PCIe Mini Card slot

Specifications

- CPU Board:** Intel Atom N2600 1.6GHz Low-power CPU board with 2GB DDR3 RAM
- I/O Outlets:**
 1 VGA(CRT) DB15 connector
 2 RJ45 connectors (Realtek RTL8111F Chipset)
 4 USB connectors
 1 RS-232/422/485 with DB9 connector
 1 RS-232/422/485/CAN with DB9 connector
 1 Audio connector (Earphone-Out)
 1 Digital I/O connector (terminal block 6-Pin)
 1 power connector (terminal block 2-Pin)
- Expansion I/F:** 1 PCIe Mini Card slot for Wireless/GPRS module
- Storage Bay:**
 1 2.5" SATA HDD space
 1 CFast Card Type I/II socket
 1 SD socket
- Power Req.:** DC 9~32 Input, 35VA maximum
- LED Indicators:** 1 Power bottom LED, 1 HDD LED
- Dimensions (W*D*H):** 145 x 102 x 50 mm
- Operating Temp.:** 0°C ~ 50°C (32°F ~ 122°F)
- Compliances:** CE /FCC /Rohs



Optional Item

- FX5311K1** - Panel Mount Kit (VESA 75*75 Only).(P/N: 0606010019G)
AK-1006 - Half size PCIe Mini Card Adapter Kit.(P/N:0606010028G)

Order Information

Model	Description	Verified OS
FX5326	INTEL Atom-N2600 1.6GHz Small System w/2S, CAN, VGA, 2Giga-LAN, 4USB and CFast/SD/Mini Card Socket	Windows 7, XP Embedded, Linux



FabiaTech Corp.

TEL:886-2-22789586 FAX:886-2-22789575

4F-3, No.18, Lane 609, Chung-Hsin Rd., Sec.5, San-Chung City, Taipei Hsien, Taiwan, R.O.C.

www.fabiatech.com