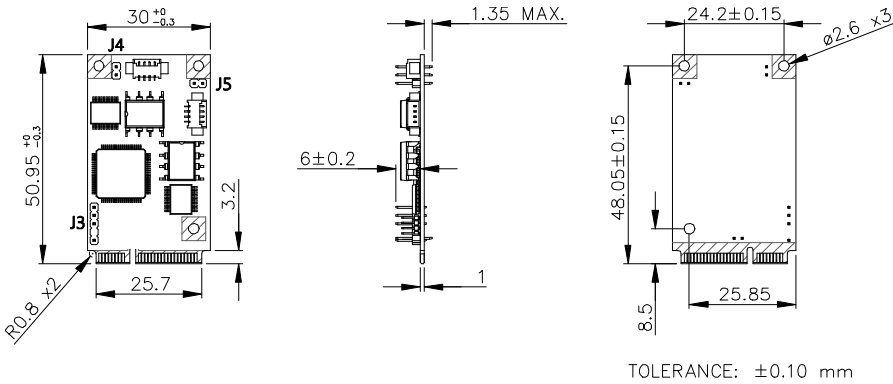


### Features

- CANbus 2.0B backward compatible with 2.0A
- Support baud rate 100/125/250/500(default)/800/1000K
- Support CAN message acceptance filter
- Keep configuration after hardware reboot
- Up to 6000 CAN messages per second (receive data)
- Support Listen-only mode
- Additional driver to support Linux SocketCAN
- Support SAE J1939 high layer protocol (Optional)
- Termination resistor enabled/disabled by jumper
- Complies with EN61000-4-5 2.5kV Surge protection
- Complies with IEC 60950-1:2005 + A1: 2009 + A2:2013 2.5kV HiPOT protection
- Complies with EN61000-4-2 (ESD) Air-15kV, Contact-8kV
- Supports 3<sup>rd</sup> mounting hole and USB Pin header for out-of-minicard installation
- 30μ " golden finger, 3 years warranty
- Supports -40 to +85 degrees
- Industrial design, manufactured in Innodisk Taiwan

### Mechanical Drawing



CAN DB9 Connector Pin Define		USB In Pin Define	
1	NC	1	5V
2	CAN-L	2	D-
3	GND	3	D+
4	NC	4	GND
5	NC	CAN Connector Pin Define	
6	NC	1	NC
7	CAN-H	2	CAN-H
8	NC	3	CAN-L
9	NC	4	GND

### Specifications

Form-Factor	mPCIe
Input I/F	USB 2.0
Output I/F	CANbus 2.0B
Output Connector	2 x DB-9
TDP	1.62W (3.3V, 490mA)
Dimension (WxLxH)	30 x 50.9 x 8.35 mm
Temperature	Operation: W/T: -40°C ~ +85°C Storage: -55°C ~ +95°C
Environment	Vibration: 5G @7~2000Hz, Shock: 50G @ 0.5ms
Notes	Download driver and API from MyInnodisk website. Windows: XP(32bit), 7(32/64bit), 8/8.1(32/64bit), 10(32/64bit) Linux: Kernel 2.6 and above (Native CDC-ACM driver), Kernel 2.6.38 and above (SocketCAN Driver), 32/64bit QNX: 6.6

### Order information

**EMUC-B202-W1 (CAN2.0B, Wide Temp.)**

USB to dual isolated CANbus 2.0B Module

**EMUC-B202-W2 (J1939, Wide Temp.)**

USB to dual isolated CANbus J1939 Module

#### Headquarters (Taiwan)

5F., No.237, Sec. 1, Datong Rd.,  
Xizhi Dist., New Taipei City 221,  
Taiwan

Tel: +886-2-7703-3000  
Email: sales@innodisk.com

#### Branch Offices:

##### USA

usasales@innodisk.com  
+1-510-770-9421

##### Europe

eusales@innodisk.com  
+31-40-3045-400

##### Japan

jpsales@innodisk.com  
+81-3-6667-0161

##### China

sales\_cn@innodisk.com  
+86-755-2167-3689

#### www.innodisk.com

© 2017 Innodisk Corporation.  
All right reserved. Specifications  
are subject to change without  
prior notice.

August 18, 2017

# Innodisk CANbus Module Comparison

Innodisk CANbus Module (O: support X:Not Support)			
Model	EMUC-B201	EMUC-B202	
P/N	EMUC-B201-W1	EMUC-B202-W1	EMUC-B202-W2
Version	CAN 2.0B Lite	CAN 2.0B	1939
Input Interface	USB 2.0	USB 2.0	USB 2.0
Output ports	2	2	2
Supported API (v1 and v2 are not compatible with each other)			
Basic CAN 2.0B (v1.0.0)	O	X	X
Basic CAN 2.0B (v2.0.0)	X	O	O
J1939	X	X	O
Supported baud rate (Kbps)			
50K	O	X	X
100K	X	O	O
125K	O	O	O
250K	O	O	O
500K	O	O	O
800K	X	O	O
1000K	O	O	O
Feature			
HiPOT	2500V	2500V	2500V
Surge	2500V	2500V	2500V
ESD	Air-15kV Contact-8kV	Air-15kV Contact-8kV	Air-15kV Contact-8kV
Temperature	-40~+85°C	-40~+85°C	-40~+85°C
Performance	1000 frames/sec	6000 frames/sec	6000 frames/sec
SocketCAN	O	O	O
Acceptance filter	X	O	O
Save config	X	O	O
CAN disable mode	X	O	O
Listen mode	X	O	O
Error status	X	O	O
Firmware upgrade	X	O	O