

## HBFHP792X Series



The HBFHP792X series is a ruggedized fanless automation PC. The DIN-rail mounting bracket is suitable to be used in control cabinet for industrial automation application. There are four models that can choose according to IO requirements.



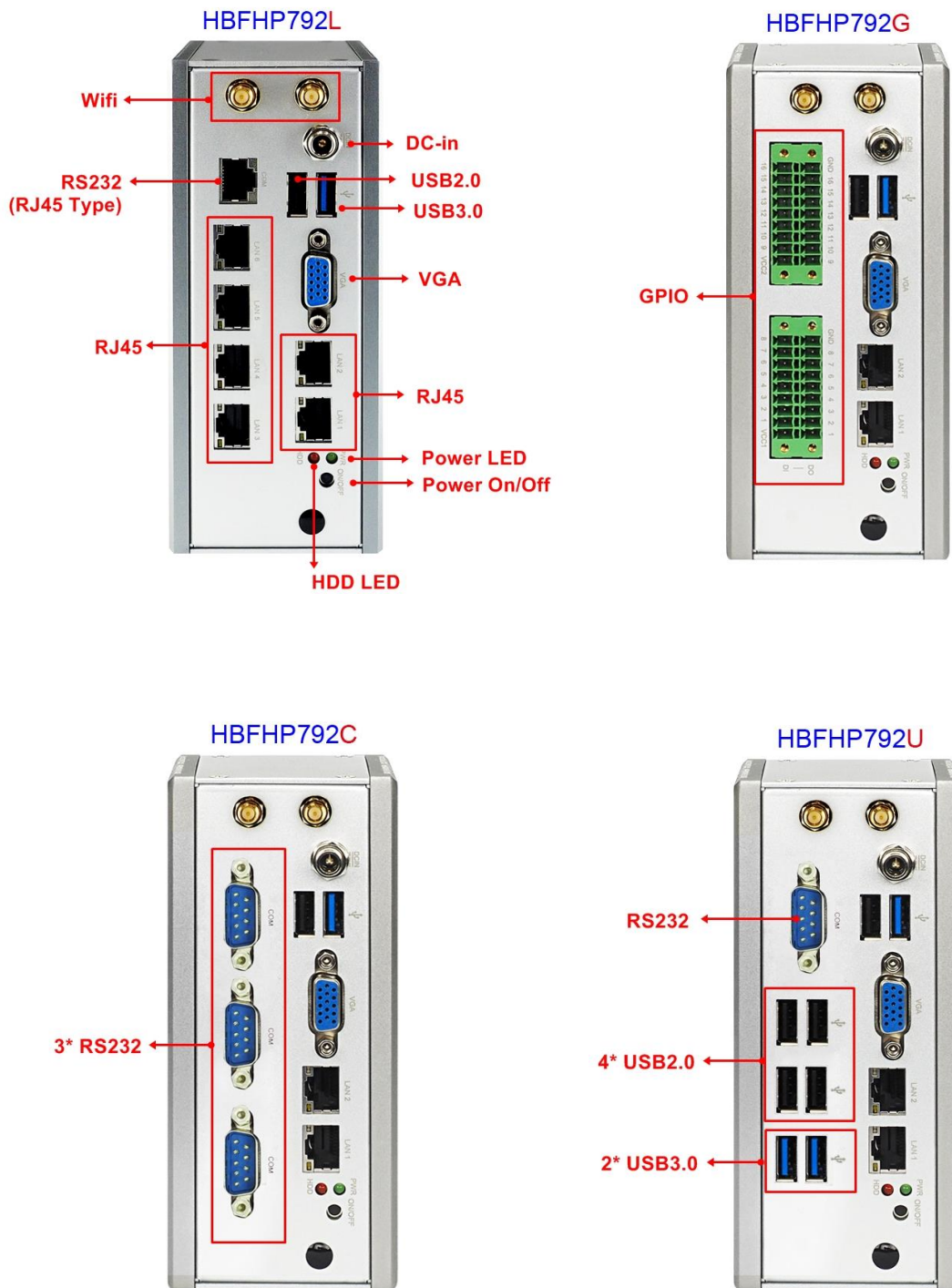
### Specifications

<b>MB Model</b>	<ul style="list-style-type: none"> <li>● JNP792D2-2807</li> </ul>
<b>Part No</b>	<ul style="list-style-type: none"> <li>● HBFHP792L-2807-G (non-WiFi) / HBFHP792LW-2807-G (WiFi)</li> <li>● HBFHP792G-2807-G (non-WiFi) / HBFHP792GW-2807-G (WiFi)</li> <li>● HBFHP792C-2807-G (non-WiFi) / HBFHP792CW-2807-G (WiFi)</li> <li>● HBFHP792U-2807-G (non-WiFi) / HBFHP792UW-2807-G (WiFi)</li> </ul>
<b>CPU/Chipset</b>	<ul style="list-style-type: none"> <li>● Intel® Bay Trail N2807 SoC Processor</li> </ul>
<b>Memory</b>	<ul style="list-style-type: none"> <li>● 2GB DDR3L-1333MHz on board memory</li> </ul>
<b>Storage</b>	<ul style="list-style-type: none"> <li>● 1 * mSATA (full size)</li> </ul>
<b>Network</b>	<ul style="list-style-type: none"> <li>● 2 * Intel® GbE (M/B: Intel i210IT)</li> </ul>
<b>Expansion slot</b>	<ul style="list-style-type: none"> <li>● 1 * M.2 slot (E-key, 2230) WiFi card Support IEEE 802.11a/b/g/n/ac Wireless LAN 2T2R and Bluetooth 4.2 Support 802.11ac 2x2, Wave-2 compliant with MU-MIMO</li> </ul>
<b>Standard I/O</b>	<ul style="list-style-type: none"> <li>● 1 * Power button, 1 * Power LED, 1 * HDD LED</li> <li>● 1 * USB 3.0, 1 * USB 2.0</li> <li>● 1 * VGA, 2 * RJ45 (support WOL)</li> <li>● 1 * lockable DC-in jack</li> </ul>
<b>Expansion I/O</b>	<ul style="list-style-type: none"> <li>● HBFHP792L series: 4 * RJ45 (Intel i210IT GbE), 1 * RS232 (RJ45 type)</li> <li>● HBFHP792G series: GPIO (input – 16-bits / output – 16-bits)</li> <li>● HBFHP792C series: COM1 ~ 2 support RS232/RS422/RS485, COM3 support RS232</li> <li>● HBFHP792U series: 2 * USB 3.0, 4 * USB 2.0, 1 * RS232/RS422/RS485</li> </ul>
<b>Power Source</b>	<ul style="list-style-type: none"> <li>● FSP AC 90~240V to DC Adapter / DC12V-3.3A-40W / LV6</li> </ul>
<b>Compliance</b>	<ul style="list-style-type: none"> <li>● CE, FCC, LVD, RoHS</li> </ul>
<b>Temperature</b>	<ul style="list-style-type: none"> <li>● Recommended Operating Temperature: 0~50° C</li> </ul>

	<ul style="list-style-type: none"> <li>● Working environment temperature: -20~70° C</li> <li>● Storage Temperature: -20~70° C</li> </ul>
<b>Dimensions</b>	<ul style="list-style-type: none"> <li>● 63 (W) x 89 (D) x 149 (H) mm</li> </ul>
<b>Packing</b>	<ul style="list-style-type: none"> <li>● Net Weight: 1.5KG</li> <li>● Gross Weight: 2.2KG</li> <li>● Color Box dimension: 152 (W) * 162 (D) * 260 (H) mm</li> </ul>
<b>OS Support</b>	Windows 7, Windows 8.1, Windows 10, Linux
<b>Warranty</b>	2 Years limited warranty

\*Specifications subject to change without notice, not responsible for typographical errors. Does not include HDD or OS.

## External I/O



## DIN Rail & Wall Mount

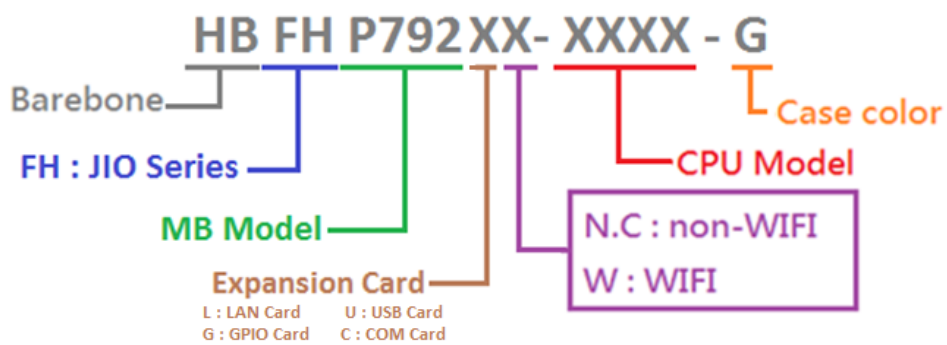


DIN Rail

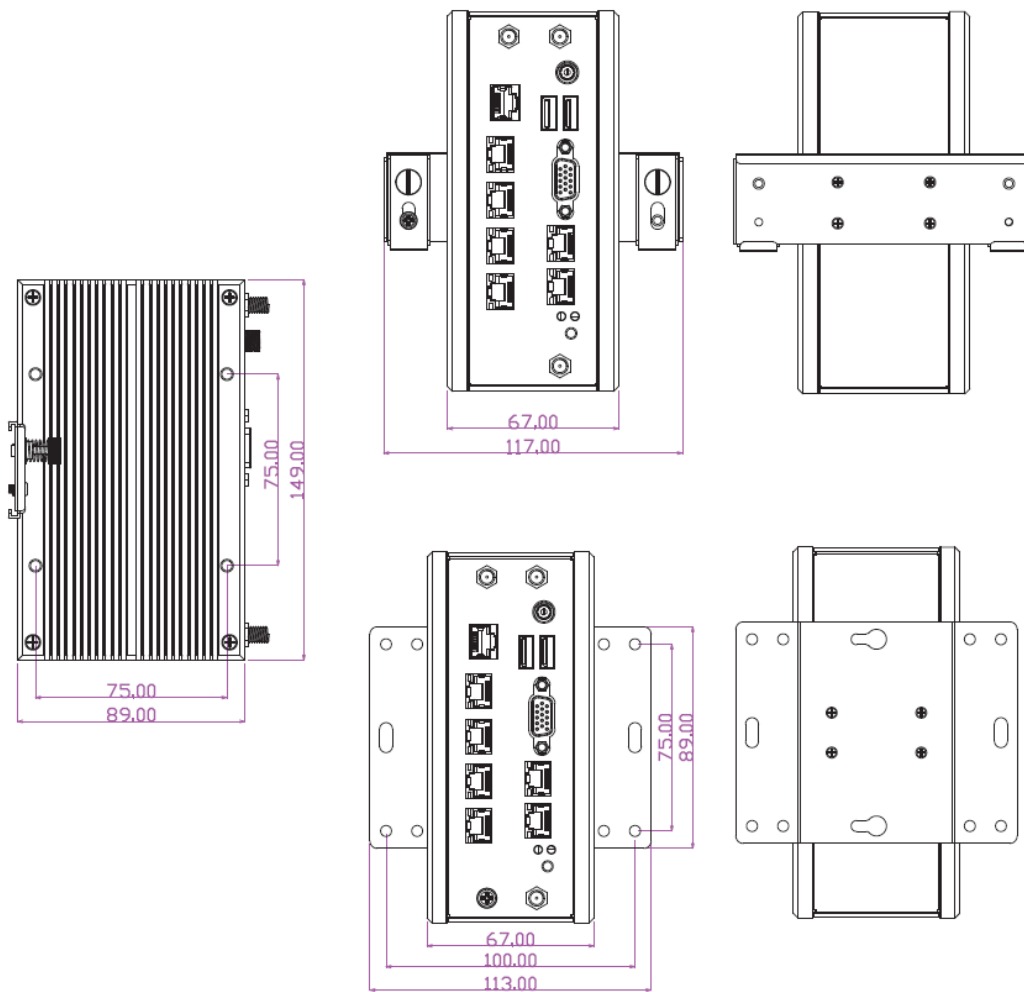


Wall Mount

## Part Number Rule



## Mechanical Drawings (Unit = mm)



## Optional Accessories

Parts Number	Description
	HBFHP792X-XXXX-G
G03-NP792-F	IPC NP792 M/B User's Manual
G02-DVD20-A14-WF	Driver DVD-ROM
L01AS035-F	FSP AC 90~240V to DC Adapter / DC12V-3.3A-40W / LV6
	Power cord (Depends on country/area)
	Screw Pack
J05-ANT-AN2400-F	Antenna2G4 -2dBi R-AN2400-5701RS (Optional)
HCSFHMWM03S-F	Din Rail Kit
HCSFHMWM02S-F	Din Rail Screw
HCSFHMWM01B-F	Wall Mount