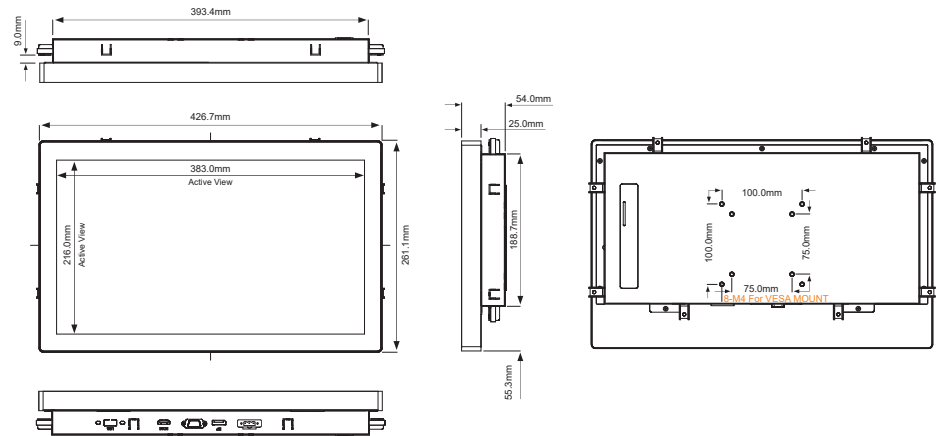


TDM-P173WT

17.3" Bezel-Free P-cap Monitor Compliance with Marine IEC-60945, Front Side IP65/66, VGA/DP/HDMI, Panel Mounting Kits, and Wide Range Power Input DC 9~36V



Dimension & I/O Connector



Features

- ▶ Full HD 1920 x 1080
- ▶ Bezel-Free Design
- ▶ IP65 Front Bezel
- ▶ IP66 Front Bezel Compliant
- ▶ VGA/DP/HDMI
- ▶ 256 Levels Dimming from 2.53 nits
- ▶ USB Port for Touch
- ▶ DC 9~36V Power Input
- ▶ Optional OSD in Front Right Side
- ▶ IEC-60945 Compliance
- ▶ Optional 1000~1600 nits High Brightness
- ▶ Optional M12 Metal Connector
- ▶ Backside OSD Buttons
- ▶ Optional Anti-UV / Irradiation
- ▶ Optional Color Calibration / ECDIS

Specification

Max. Resolution	1920*1080
Contrast Ratio	600 : 1
Max. Color	16.7 M
Luminance (cd/m2)	400 nits
View Angle	Optional backlight 1000~1600 nits 80/80/60/80
Touch Screen	17.3" P-cap USB interface
Power Input	DC 9~36V with DC 12V adapter by 3-Pin Terminal Block
Mounting	Panel Mount VESA Mount 75x75/100x100
Operating Temp	-40 ~ 80 °C
Storage temp	-40 ~ 80 °C
OSD Function	1. Power 2. Backlight Up 3. Back light Down 4. Home 5. Status switch 6. LED for Day, Noon and Night status

Ordering Information

TDM-P173WT	17.3" Bezel-Free P-cap Monitor Compliance with Marine IEC-60945, Front Side IP65/66, VGA/DP/HDMI, Panel Mounting Kits, and Wide Range Power Input DC 9~36V
------------	--

Ordering Code

TDM-P173WT	-H / -OB / -G / -AG / -AR / -V / -M / -P / -R
H = High Brightness 1000 nits LED backlight	
OB = Optical Bonding	
B = Glass Without touch	
AG = Anti-Glare	
AR = Anti-Reflection	
V = Vandal Proof Glass (By Project)	
M= M12 Metal Connector	
P= M12 Plastic Connector	
R= Rackmount with Handles	

