

# LPC-P101W-3X

10.1" P-cap Panel PC with 7th/6th Gen Kaby Lake-U/Skylake-U Core™ i7/i5/i3, IP65 / 66 Bezel-Free and Wide Range Power Input



ANTEOR / DIPM  
2, rue Pablo Picasso  
78114 Magny-les-Hameaux  
France  
Tél. : +33 (0)1 61 37 07 01  
E-mail : contact@anteor.com



## Features

- ▶ 7th/6th Gen Core™ i7/i5/i3
- ▶ IEC-60945 Certified
- ▶ IP65 / 66 Front Panel
- ▶ -30°C Cold Start
- ▶ Fanless Design
- ▶ 3-Pin Power Input Terminal Block
- ▶ DC 9~36V Wide Range Power Input
- ▶ 1280\*800 Resolution
- ▶ 500 nits LED Backlight
- ▶ Optional 1000 nits LED Backlight
- ▶ Optional to Resistive Touch



## System

Processor	7th/6th Gen Kaby Lake-U/Skylake-U Core™ i7/i5/i3
System Memory	DDR4 2133 MHz SO-DIMM, up to 16 GB
External I/O Port	4 x USB 3.0 2 x GbE LAN (I210-AT & I219LM, AMT 11.x supported) 1 x Display Port 1 x HDMI 2 x RS-232 1 x RS-232/422/485(COM1) 1 x Audio 1 x Power press button 1 x 3-Pin Power Input
Storage	1 CFast Slot, Push-in/ Push-out Ejector 1 x mSATA (full size mini-PCIe)
Operating System	6th Gen CPU for Win 7 Pro/ WES7 / Win 8 / Win 10 7th Gen CPU for Win 10
Expansion	2 x MiniPCIe Slot

## LCD

Display Type	10.1" TFT LCD
Max. Resolution	1280*800
Max. Color	16.1M
Luminance	500 nits
View Angle	85/85/85/85
Backlight Lifetime	30,000 hours

## Power Requirement

Power Input	3-Pin Power Input Terminal Block DC 9~36V Wide Range Power Input
-------------	---

## Touch Screen

Type	10.1" P-cap USB interface
------	---------------------------

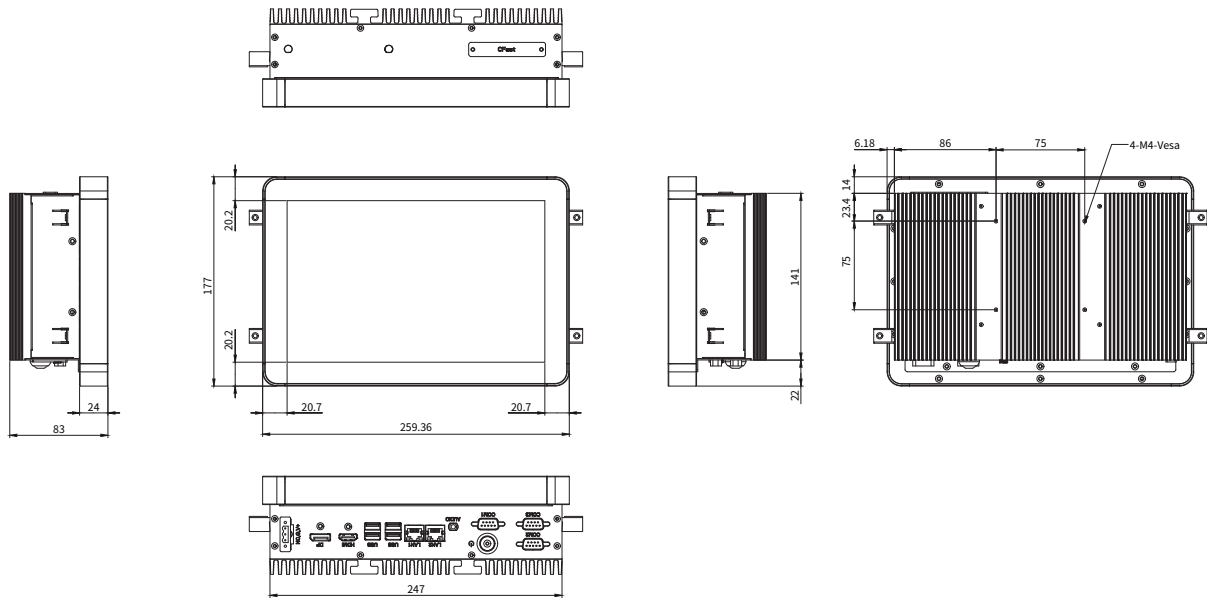
## Environment

Operating Temp	-30~70°C IEC-60068-2-1/2/14
Storage Temp	-30~70 °C
Humidity	10~90% @40 °C, non-condensing
EMC	FCC / CE Class A Certification CE Class B Compliant
Vibration	1.5 Grms @10~500Hz, IEC-60068-2-64

## Mechanical

Construction	Aluminum Front Bezel and Case
IP Rating	Front Panel IP65 / IP66 Compliant
Mounting	VESA / Panel Mount (Optional)
Dimension	259.36 x 177 x 83

## Dimension & I/O Connector



### Ordering Information

LPC-P101W-35	10.1" P-cap Panel PC with i3-6100U, 1280 x 800 Resolution, 500 nits, DC9~36V Power Input, including a 3-Pin Power Adapter (12V/7.5A)
LPC-P101W-36	10.1" P-cap Panel PC with i5-6300U, 1280 x 800 Resolution, 500 nits, DC9~36V Power Input, including a 3-Pin Power Adapter (12V/7.5A)
LPC-P101W-37	10.1" P-cap Panel PC with i7-6600U, 1280 x 800 Resolution, 500 nits, DC9~36V Power Input, including a 3-Pin Power Adapter (12V/7.5A)
LPC-P101W-3K5	10.1" P-cap Panel PC with Kaby Lake i5-7600U, 1280 x 800 Resolution, 500 nits, DC9~36V Power Input, including a 3-Pin Power Adapter (12V/7.5A) ( Only work with Win 10 )
WFK-024	WiFi kits w/ cable & Antenna (2.4GHz, 802.11 b/g/n, 1T1R)
WFK-524	WiFi kits w/ cable & Antenna (2.4 & 5GHz, 802.11 a/b/g/n/ac + BT, 2T2R)
04-US-26-00002	120 W / 24V power adapter with 3 pin terminal block (For High Brightness Model)

### Ordering Code

LPC-P101W-3X      -H / -OB / -G / -AG / -AR / -V

H = High Brightness 1000 nits LED backlight

OB = Optical Bonding

G = Glass without touch

AG = Anti-Glare

AR = Anti-Reflection

V = Vandal Proof Glass (By Project)