

MP1-11TGS-D

Fanless Embedded System
with Intel® Tiger Lake-UP3 Processor (up to 4.4GHz)

Introduction

- Intel® Tiger Lake-UP3 Core i7/i5/i3/Celeron ULV processors
- Intel® vPro technology support
- 1 x DDR4 SO-DIMM and support up to 32GB
- Support Quadruple display for HDMI, and DisplayPort
- 2 x Hot Swappable SSD/HDD slot
- Intel® 1G + 2.5G LAN Ports (Option: additional 2 x LAN)
- 2 x USB 2.0, 4 x USB 3.1 Gen2 and 4 x COM
- 12V~36V wide voltage power input



intel
CORE
i3

intel
CORE
i5

intel
CORE
i7

intel
CELERON

intel
Tiger Lake
Intel Tiger Lake

Fanless Design

Quadruple displays

LAN
2.5G

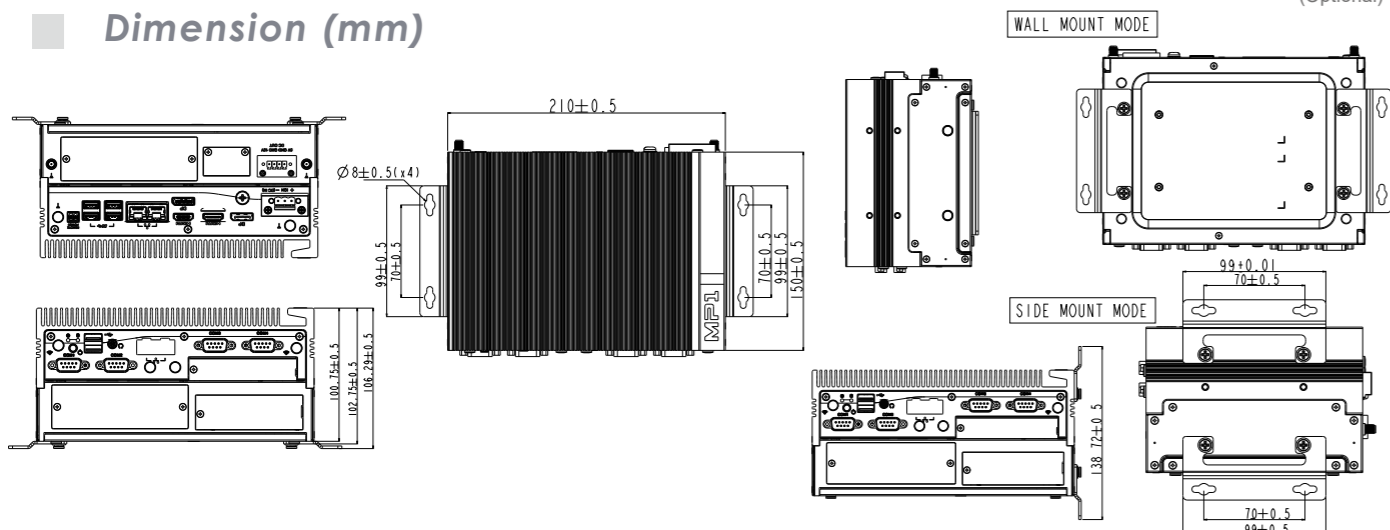
COM x4
4 COM port

12V-36V
DC-in
Wide Range
DC-in

I/O Interface



Dimension (mm)



MP1-11TGS-D Fanless Embedded System

| SYSTEM | |
|------------------------|------------------------------------------------------------------------------------------------------------------------------------------------------------------------------------------------------------------------------------------------------------------|
| CPU | 11st Gen Tiger Lake-UP3 Intel® Core™ i ULV Processor i3-1115G4E (Dual Core, 6MB Cache, up to 3.90 GHz) / option: 11st Gen Tiger Lake-UP3 Celeron 6305E / i5-1145G7E / i7-1185G7E |
| Chipset | Intel® SoC Integrated |
| System Memory | DDR4 3200MHz, 1 x 260-pin SO-DIMM, Max. 32GB (Non-ECC) |
| Graphics | Intel® HD Graphics |
| Display Interface | DisplayPort 1.4, HDMI 2.0b |
| Storage Slot | 2 x Hot Swappable 2.5 HDD / SSD 1 x M.2 B Key 2280 / 2260 / 2242 Slot |
| Ethernet | Intel® I219-LM Giga LAN + Intel® I225-LM 2.5G LAN Additional 2 x Intel® I210-IT Giga LAN for Options |
| Audio | Realtek® ALC256 |
| I/O Chipset | Nuvoton NCT6126D |
| TPM | Nuvoton NPCT750AABYX TPM2.0 |
| Expansion Slot | Storage/LTE/5G Slot: M.2 2242/2260/2280/3042/3052 B Key (USB2.0/*PCIex1/SATAIII) Wireless: M.2 2230 E key (PCIe / USB) Mini PCIe slot (Full size, USB/PCIex1/SATA) *Not support M.2 M Key NVMe SSD 2 x Xpansion slot (PoE/LAN/COM/DIO/IGN/CANBus Options) |
| Indicator | Power LED, HDD LED 2 x Hot Swappable 2.5" SSD/HDD slot 3 x RS232 1 x RS232/422/485 |
| Front I/O | 2 x USB 2.0 2 x SMA Antenna (Optional for WiFi/LTE function) 1 x Audio Combo Jack (Mic-in & Line-out) |
| Rear I/O | 2 x DisplayPort 1.4 2 x HDMI 2.0b 2 x RJ-45 4 x USB 3.1 Gen2 1 x 3-pin Terminal Block Power Input 1 x 4-pin Terminal Block Power Output (12V/5V) 4 x SMA Antenna (Optional for LTE function) 1 x 2-pin Terminal Block Remote Power on / off |
| H/W Monitor | Temperature Monitor, Voltage Monitor |
| Watchdog Timer | 1~255 Steps by Software Program |
| POWER REQUIREMENT | |
| Power Input | 12~36V Wide Range DC Input w/ 3-pin Terminal Block Connectivity |
| Power Adapter | AC / DC / DC24V / 5A / 120W adapter in AC SKUs |
| MECHANICAL | |
| Thermal Design | Fanless |
| Mounting | Wallmount / Side Mount / 75 mm x 75 mm VESA Holes & Din Rail Mount Combo Kit (Optional) |
| Dimensions (W X D X H) | 8.3" x 5.9" x 4" (210 x 150 x 103 mm) |
| Material | Top cover: Aluminum Alloy, Bezel and chassis: Steel |
| ENVIRONMENTAL | |
| Operating Temperature | 15W TDP: -40 ~ 70°C with 0.7m/s Air Flow (w/ Extended Temp. SSD/mSATA/RAM) 28W TDP: -40 ~ 60°C with 0.7m/s Air Flow (w/ Extended Temp. SSD/mSATA/RAM) |
| Storage Temperature | -40~85°C (-40 ~185°F) |
| Operating Humidity | 10%~95% (Non-condensing) |
| Vibration Resistance | 5Hz~500Hz / 5Grms / 3Axis (w/ SSD, according to IEC60068-2-64) |
| Shock Resistance | Operating: 50 Grms, Half-sine 11 ms Duration (w/ SSD, according to IEC60068-2-64) |
| Certification | CE & FCC Class A |
| OS | |
| OS Support | Windows® 10 64bit, Linux (support by request) |

Ordering Information

| Model Number | Processor | AC Adaptor | Model Number | Processor | AC Adaptor |
|------------------------|---------------|-----------------------|------------------------|------------|-----------------------|
| MP1-11TGS-D-6305E | Celeron 6305E | None | MP1-11TGS-D-1145G7E | i5-1145G7E | None |
| MP1-11TGS-D-6305E-AC | Celeron 6305E | 120W AC to DC Adaptor | MP1-11TGS-D-1145G7E-AC | i5-1145G7E | 120W AC to DC Adaptor |
| MP1-11TGS-D-1115G4E | i3-1115G4E | None | MP1-11TGS-D-1185G7E | i7-1185G7E | None |
| MP1-11TGS-D-1115G4E-AC | i3-1115G4E | 120W AC to DC Adaptor | MP1-11TGS-D-1185G7E-AC | i7-1185G7E | 120W AC to DC Adaptor |

Packing List

| Packing | | |
|-------------------------------------------|--------------------------------|-----------------------|
| • 1 x Wall Mount Brackets (2PCS in 1 set) | • 1 x Quick Installation Guide | • 1 x Embedded System |
| • 1 x US + EU Power Cord (AC sku) | • 1 x Power Adapter (AC sku) | |